

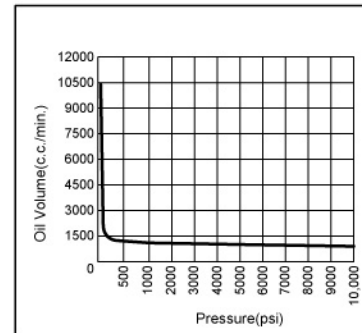
## MODEL: EP320 SERIES

ELECTRIC PUMPS, 1.48KW, 20 LITER  
700 BAR/10,000psi



EP320D

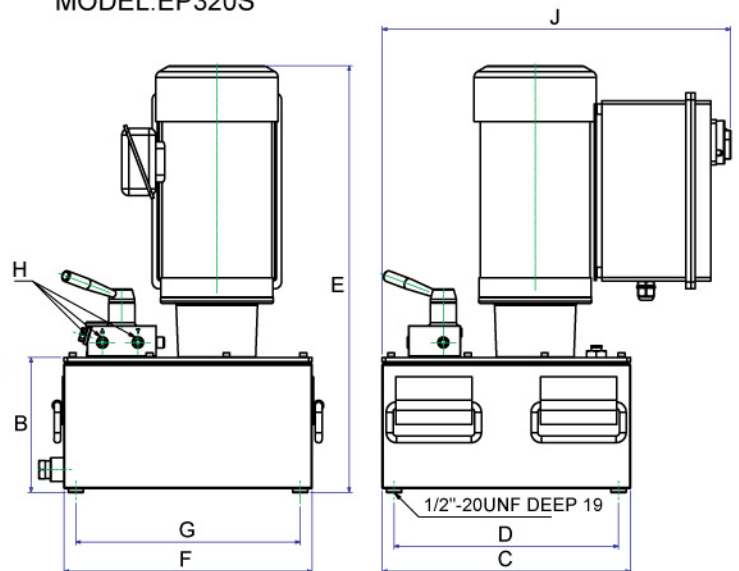
EP320



### FEATURES

- Original pumps are built with 1.48KW, 220/380V, 50/60Hz, 3 phases universal brushless motor.
- Internal relief valve (700 bars) protects the components and work safety.
- Pumps are included with 24V, 3 meters remote control cord.
- Quiet pumps comply OSHA noise limitation (80dBA at 700bar).
- EP320D specially designed for double-acting cylinders without the need for additional control valve and adapters.
- Internal relief valve limits pressure to 10,000 psi. External relief valve is adjustable from 1,000 to 10,000 psi.
- Conform to CE standards.
- Both models are available with Solenoid Valve version.**

MODEL:EP320S



Model No.	Acting	RPM 50/60 Hz	Reservoir Capacity (c.c.)	Usable Oil Capacity (c.c.)	Motor	Max. Pressure Output (psi)	Valve		Oil Del.(c.c./min. @)*(60Hz)			
							Type	Function	100(psi)	1000(psi)	5000(psi)	10000(psi)
EP320S	Single	1435 / 1735	20,000	18,000	1.48 KW 220V / 380V 50 / 60 Hz 3 Phase	10,000	2 Position / 2 Way	Hold /Retract	9,500	1,020	980	900
EP320SS*												
EP320D	Double	1435 / 1735	20,000	18,000	1.48 KW 220V / 380V 50 / 60 Hz 3 Phase	10,000	3 Position / 4 Way	Adv./Hold /Retract	9,500	1,020	980	900
EP320DS*												

1.48KW, 220V, 50Hz, Single Phase motor is also available for all models.

Model No.	A (mm)	B (mm)	C (mm)	D (mm)	E (mm)	F (mm)	G (mm)	H	J (mm)	Weight (kg)
EP320 Series	—	198.5	365	330	627.5	365	330	3/8"-NPT	512	56

\* Solenoid Valve version.

\*\* The weight is excluding the hydraulic oil.